

EBPC-3500

Embedded Industrial Chassis for 3.5" SBCs

NEW



Features

- Built-in DC-to-DC power supply, accepts DC 12 V ~ 24 V power input source, and ATX
- One PC/104 or PCI-104 or MIO card expansion
- Supports one 2.5" HDD bay with anti-vibration design
- Easy installation of HDD and DRAM
- Built-in maximum I/O ports on the front, and optional video ports on the rear
- Reserved, pre-punched I/O ports on the modular design I/O Metal Plate for quick and convenient customized I/O extension
- Compact, robust construction
- Simple and modularized service-friendly design



Specifications

Drive Bay	2.5"	Front-accessible	Internal
	Compact Flash	-	1
Cooling	Fan	1 (11.4 CFM)	1
	Front I/O Ports	1 x COM, 1 x LAN, 1 x Mini DIN PS/2, 1 x VGA (1 x USB for EBPC-3500-80CE)	
I/O Interface	Rear I/O Ports	Build -in: 1 x Parallel, 1 x DIO, 1 x COM, 1 x LAN, 2 x USB, 1 x Line in, 1 x Line out, 1 x Mic in Reserved: 1 x DVI, 2 x USB, 2 x COM; 1 x LVDS + 1 x Inverter for the optional display module kit.	
	Miscellaneous	Notification LEDs Control	
Environment	Temperature	Operating 0 ~ 45° C (32 ~ 104° F)	Non-operating -20 ~ 60° C (-4 ~ 140° F)
	Humidity	10 ~ 85% @ 40° C, non-condensing	10 ~ 95% @ 40° C, non-condensing
	Vibration (5 - 500 Hz)	1 Grms	2 G
	Shock	10 G (with 11 ms duration, half sine wave)	30 G
	Physical Characteristics	Weight	1.6 kg (3.52 lb)
Power Supply	Dimension (W x H x D)	230 x 70 x 175 mm (9.1" x 2.8" x 6.9")	
	Output Rating	46 W	
	Power Input Connector	4-pole Phoenix DC power connector	
	Input Voltage	12 Vdc @ 4.5 A; 16 Vdc @ 3.4 A 19 Vdc @ 2.9 A; 24 Vdc @ 2.3 A	
	Output	+5 Vdc @ 7 A; +12 Vdc @ 0.5 A +5 Vsb @ 1 A	

Front View of EBPC-3500-75CE

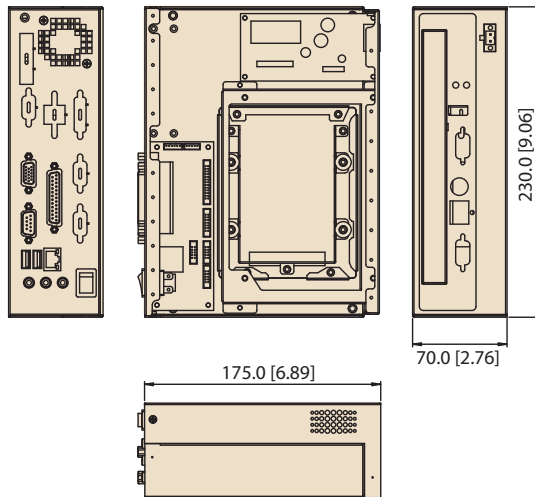


Front View of EBPC-3500-80CE



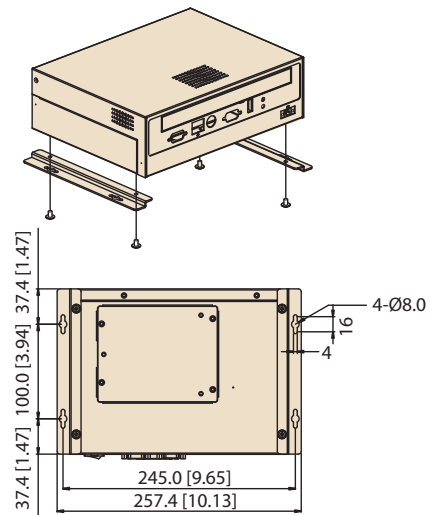
Dimensions

Unit: mm (inch)



Installation

Unit: mm (inch)



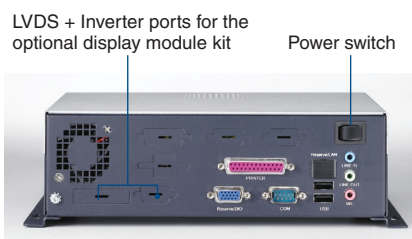
Accessories

Part Number	Description
9896025602E	Display module kit for EBPC-3500-75CE, including 1 x LVDS, 1 x Inverter and wiring cables.
9896025603E	Display module kit for EBPC-3500-80CE, including 1 x LVDS, 1 x inverter and wiring cables.
1700060202	1 x PS/2 Keyboard/Mouse Cable

External AC-to-DC Adapter and Power Cord

Part Number	Description
1757000222	AC-to-DC Adapter DC19 V/3.42 A 65 W, with Phoenix Power Plug, 0 ~ 45° C for Home and Office Use
1700001947	Power cord 2-pin 180 cm, USA type
1700001948	Power cord 2-pin 180 cm, Europe Type
1700001949	Power cord 2-pin 180 cm, UK Type

Rear View



Ordering Information

Part Number	Power Board	3.5" SBC	Regulation
EBPC-3500-75CE	9898025700E	PCM-9375E	CE
EBPC-3500-80CE	9898025700E	PCM-9380/9381/ 9386/9387	CE

* The necessary cables for the built-in I/O board are included in the accessory box.

Inside View



Bottom View



Bottom cover for accessing the 2.5" HDD